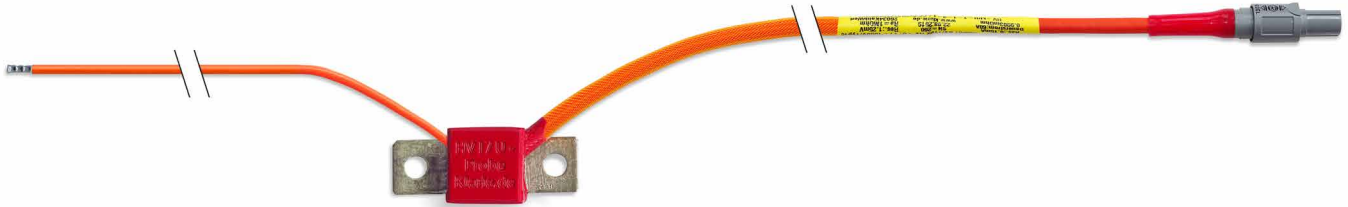


HIGH VOLTAGE SENSORS

HV-HP-PROBE



For shunt-based measurement of quiescent, operating, and peak currents from μA to kA as well as voltages in high-voltage electrical systems in vehicles or test benches. Automatic probe identification.

Features

- Current and voltage measurement with one Probe
- High precision shunt based current measurement
- Compatible with all Klaric HV measurement modules
- Automatic Probe identification (similar to TEDS)

Version

- Type: BF1+, BF2, BF2+, BF3
- Dimensions BF1+: 53.6/17.5/15 mm (L/W/H) - M5 holes
- Dimensions BF2: 68/20/20 mm (L/W/H) - M8 holes
- Dimensions BF2+: 84/20/20 mm (L/W/H) - M8 holes
- Dimensions BF3: 84/57/20.5 mm (L/W/H) - M8 holes
- Temperature range -40°C to $+130^{\circ}\text{C}$ (-40°F to 266°F)
- 1.000 V or 200 V Voltage measurement

Accessories

- HV Probe Extension Cable

Scope of delivery

- HV-HP-PROBE
- Factory calibration certificate (DAkkS optional)

U-Probe Ranges

Gain	Measurement range [V]	Resolution/Bit [mV]
100	± 45	1.5
40	± 135	4.5
25	± 210	7
5	$\pm 1,050$	35
1	$\pm 1,050$	175

BF1+ Shunt values and measurement ranges

Resistance [m Ω]	Measurement range [A]	Resolution/Bit [mA/Bit]	Continuous current [A]
2	-120 / +525	0.15	60
1	-240 / +1,050	0.3	80
0.5	-480 / +2,100	0.6	120
0.2	-1,200 / +5,250	1.5	150

Specification in each case in the smallest measuring range at room temperature (23°C)

HIGH VOLTAGE SENSORS

HV-HP-PROBE



BF2 Shunt values and measurement ranges

Resistance [mΩ]	Measurement range [A]	Resolution/Bit [mA/Bit]	Continuous current [A]
2	-120 / +525	0.15	80
1	-240 / +1,050	0.3	120
0.5	-480 / +2,100	0.6	130
0.2	-1,200 / +5,250	1.5	180
0.1	-2,400 / +10,500	3	310

Specification in each case in the smallest measuring range at room temperature (23°C)

BF2+ Shunt values and measurement ranges

Resistance [mΩ]	Measurement range [A]	Resolution/Bit [mA]	Continuous current [A]
2	-120 / +525	0.15	80
1	-240 / +1,050	0.3	120
0.5	-480 / +2,100	0.6	130
0.2	-1,200 / +5,250	1.5	180
0.1	-2,400 / +10,500	3	310
0.05	-4,800 / +21,000	6	500
0.035	-6,850 / +30,000	9	650

Specification in each case in the smallest measuring range at room temperature (23°C)

BF3 Shunt values and measurement ranges

Resistance [mΩ]	Measurement range [A]	Resolution/Bit [mA]	Continuous current [A]
0.020	-12,000 / +52,500	15	1,000
0.005	-48,000 / 210,000	60	2,200

Specification in each case in the smallest measuring range at room temperature (23°C)

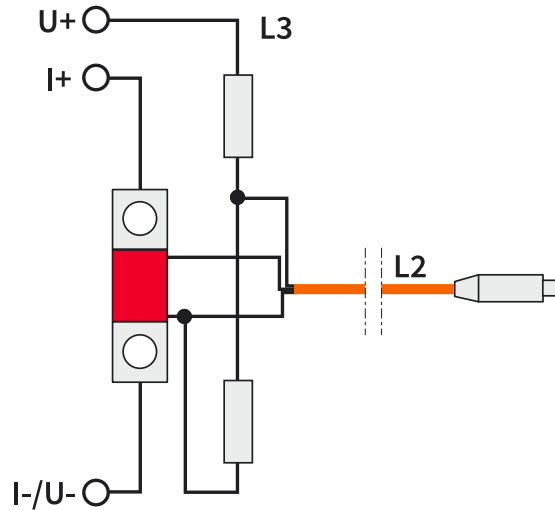
HIGH VOLTAGE SENSORS

HV-HP-PROBE



Construction

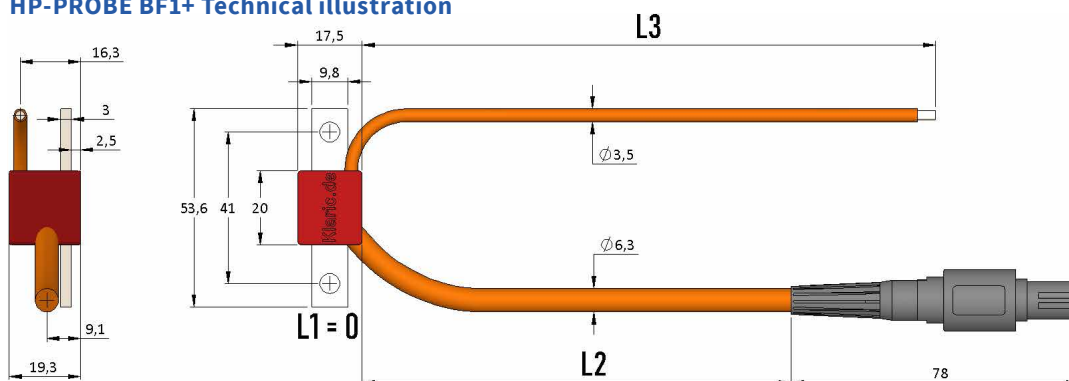
- Measuring resistor in BF1 or BF2 version with mounting straps (temperature range -40...+130°C) and voltage divider
- Memory chip for Probe identification and calibration data
- U-Probe, measuring cable voltage = L3 (0.5m), heat resistant and highly flexible with free cable end
- Data cable = L2 (1 / 3 / 5m) with 7-pin push-pull connector



Code for Order:

Name - Resistance - L1 - L2 - L3
 HV-HP-BFX - 0.005/.../2 - 0 - 1...5 - 0.5

HP-PROBE BF1+ Technical illustration

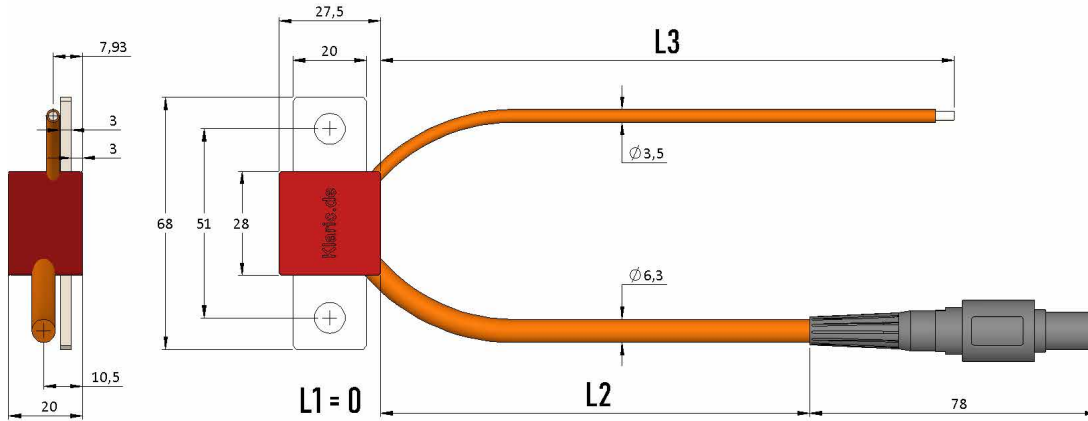


HIGH VOLTAGE SENSORS

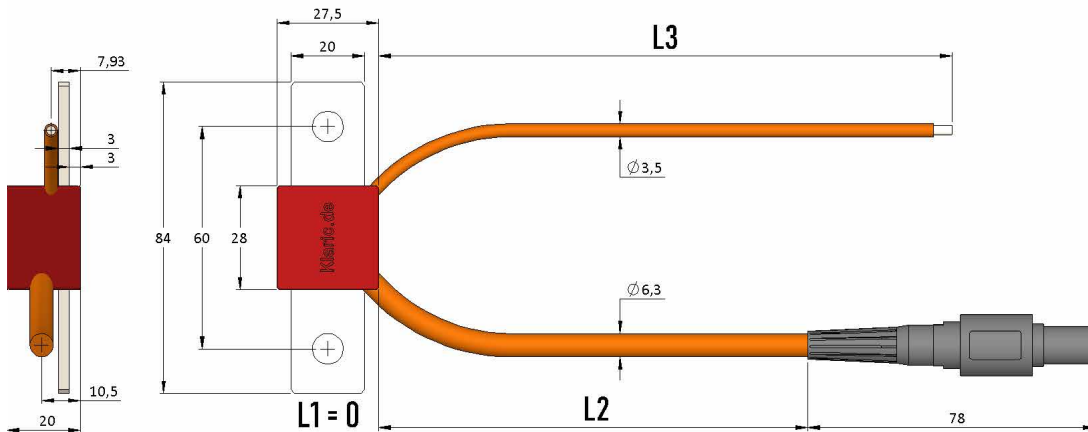
HV-HP-PROBE



HP-PROBE BF2 Technical illustration



HP-PROBE BF2+ Technical illustration



HP-PROBE BF3 Technical illustration

