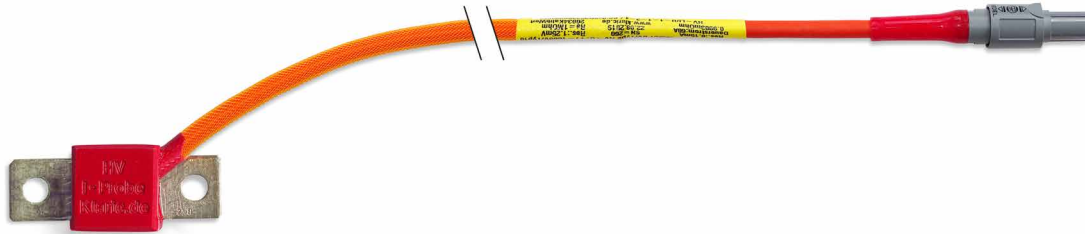


## HIGH VOLTAGE SENSORS

# HV-HI-PROBE



For shunt-based measurement of quiescent, operating and peak currents from  $\mu\text{A}$  to  $\text{kA}$  in high-voltage electrical systems in vehicles or test benches. Types BF1+ to BF3. Automatic Probe identification.

### Features

- Current Probe
- Extremely wide measuring range
- High-precision shunt based current measurement quiescent, operating and peak currents
- Automatic Probe identification (similar to TEDS)

### Scope of delivery

- HV-HI-PROBE
- Factory calibration certificate (DAkKS optional)

### Version

- Type: BF1+, BF2, BF2+, BF3
- Dimensions BF1+: 53.6/17.5/15 mm (L/W/H) - M5 holes
- Dimensions BF2: 68/20/20 mm (L/W/H) - M8 holes
- Dimensions BF2+: 84/20/20 mm (L/W/H) - M8 holes
- Dimensions BF3: 84/57/20.5 mm (L/W/H) - M8 holes
- Temperature range  $-40^{\circ}\text{C}$  to  $+130^{\circ}\text{C}$  ( $-40^{\circ}\text{F}$  to  $266^{\circ}\text{F}$ )

### Accessories

- HV-Probe extension cable

### BF1+ Shunt values and measurement ranges

Resistance [ $\text{m}\Omega$ ]	Measurement range [A]	Resolution/Bit [ $\text{mA}/\text{Bit}$ ]	Continuous current [A]
2	-120 / +525	0,15	60
1	-240 / +1,050	0.3	80
0.5	-480 / +2,100	0.6	120
0.2	-1,200 / +5,250	1.5	150

Specification in each case in the smallest measuring range at room temperature ( $23^{\circ}\text{C}$ )

## HIGH VOLTAGE SENSORS

# HV-HI-PROBE



### BF2 Shunt values and measurement ranges

Resistance [mΩ]	Measurement range [A]	Resolution/Bit [mA/Bit]	Continuous current [A]
2	-120 / +525	0,15	80
1	-240 / +1,050	0.3	120
0.5	-480 / +2,100	0.6	130
0.2	-1,200 / +5,250	1.5	180
0.1	-2,400 / +10,500	3	310

Specification in each case in the smallest measuring range at room temperature (23°C)

### BF2+ Shunt values and measurement ranges

Resistance [mΩ]	Measurement range [A]	Resolution/Bit [mA]	Continuous current [A]
2	-120 / +525	0,15	80
1	-240 / +1,050	0.3	120
0.5	-480 / +2,100	0.6	130
0.2	-1,200 / +5,250	1.5	180
0.1	-2,400 / +10,500	3	310
0.05	-4,800 / +21,000	6	500
0.035	-6,850 / +30,000	9	650

Specification in each case in the smallest measuring range at room temperature (23°C)

### BF3 Shunt values and measurement ranges

Resistance [mΩ]	Measurement range [A]	Resolution/Bit [mA]	Continuous current [A]
0.020	-12,000 / +52,500	15	1,000
0.005	-48.000 / 210,000	60	2,200

Specification in each case in the smallest measuring range at room temperature (23°C)

### Code for Order:

Name - resistance - L1 - L2 - L3  
 HV-HI-BFX - 0,005/.../2 - 0 - 1...5 - 0

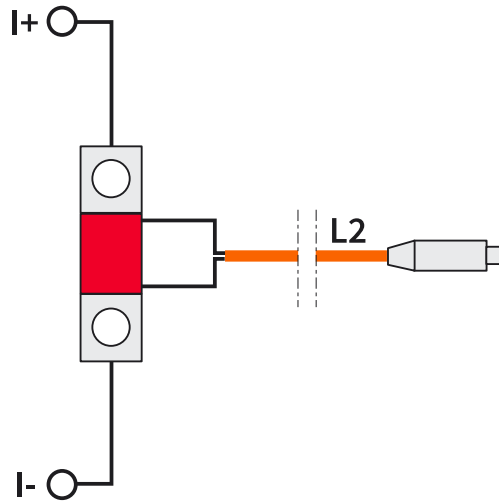
## HIGH VOLTAGE SENSORS

# HV-HI-PROBE



### Construction

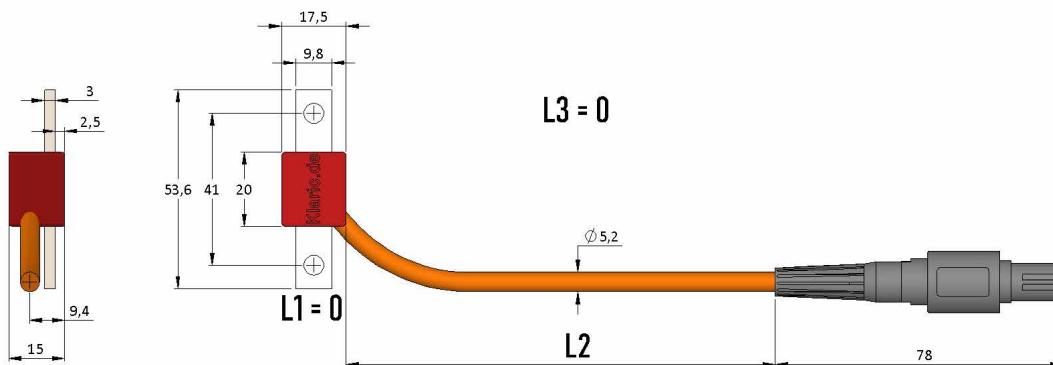
- Measuring resistor with mounting lugs (temperature range -40...+130 °C)
- Memory chip for PROBE identification and calibration data (similar to TEDS)
- Data cable = L2 (1...5 m) with 6-pin push-pull connector



### Code for Order:

Name - Resistance - L1 - L2 - L3  
 HV-HI-BFX - 0,005/.../2 - 0 - 1...5 - 0

### HV-HI-PROBE BF1+ Technical illustration

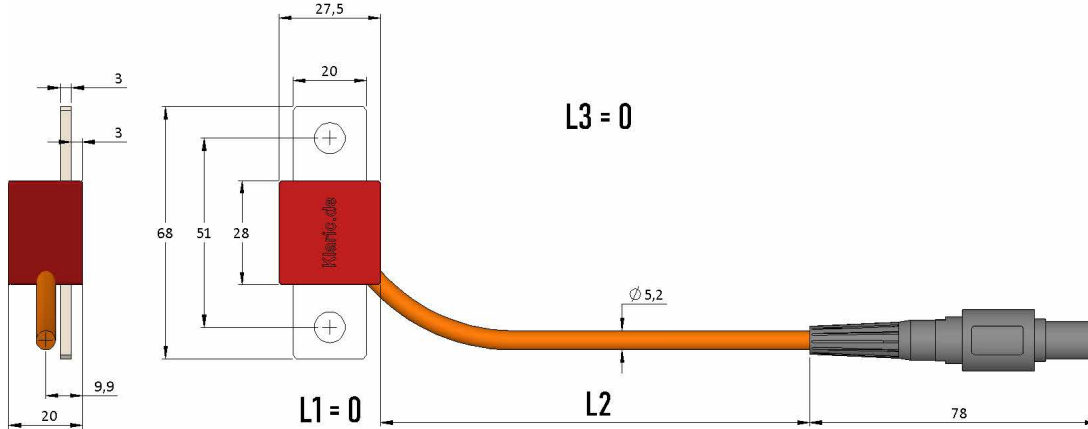


## HIGH VOLTAGE SENSORS

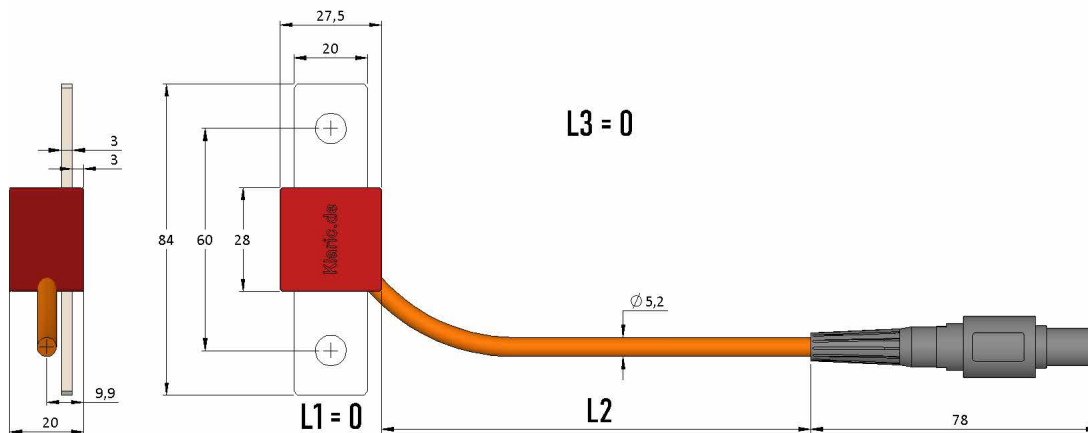
# HV-HI-PROBE



### HV-HI-PROBE BF2 Technical illustration



### HV-HI-PROBE BF2+ Technical illustration



### HV-HI-PROBE BF3 Technical illustration

