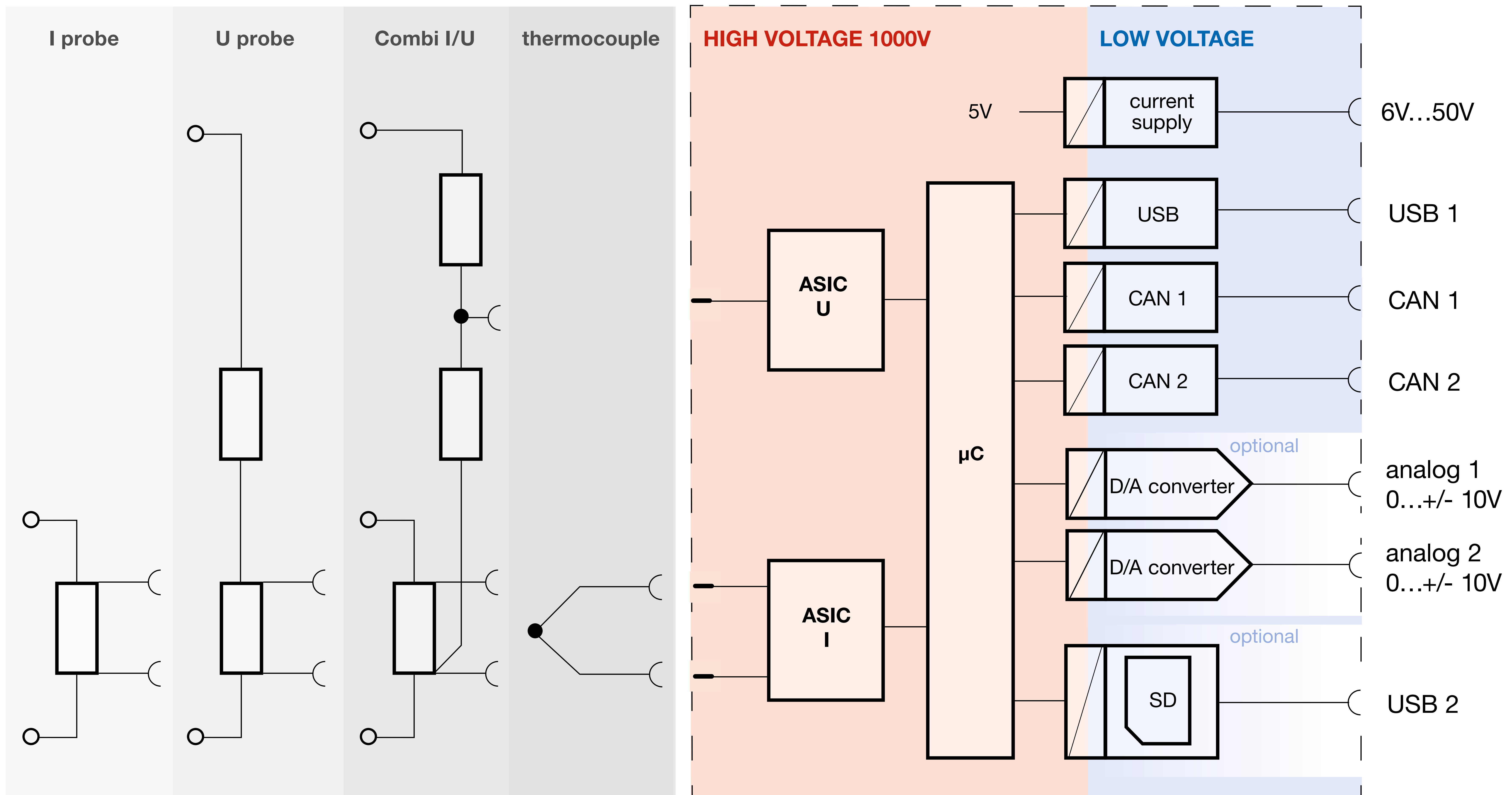


KLARI-ONE PLUS

Dual channel measurement, 1000V DC

- configurable samplerate from 62,5 μ s ...128 ms/sample
- online data output via isolated CAN or analog outputs
- Klasic probes usable



KLARI-ONE PLUS 1000V, 2 channel



AC measurement:

$$U_{RMS}; I_{RMS}; \cos(\phi)$$

$$P = U_{RMS} \cdot I_{RMS} \cdot \cos(\phi)$$

$$W = P \cdot t$$