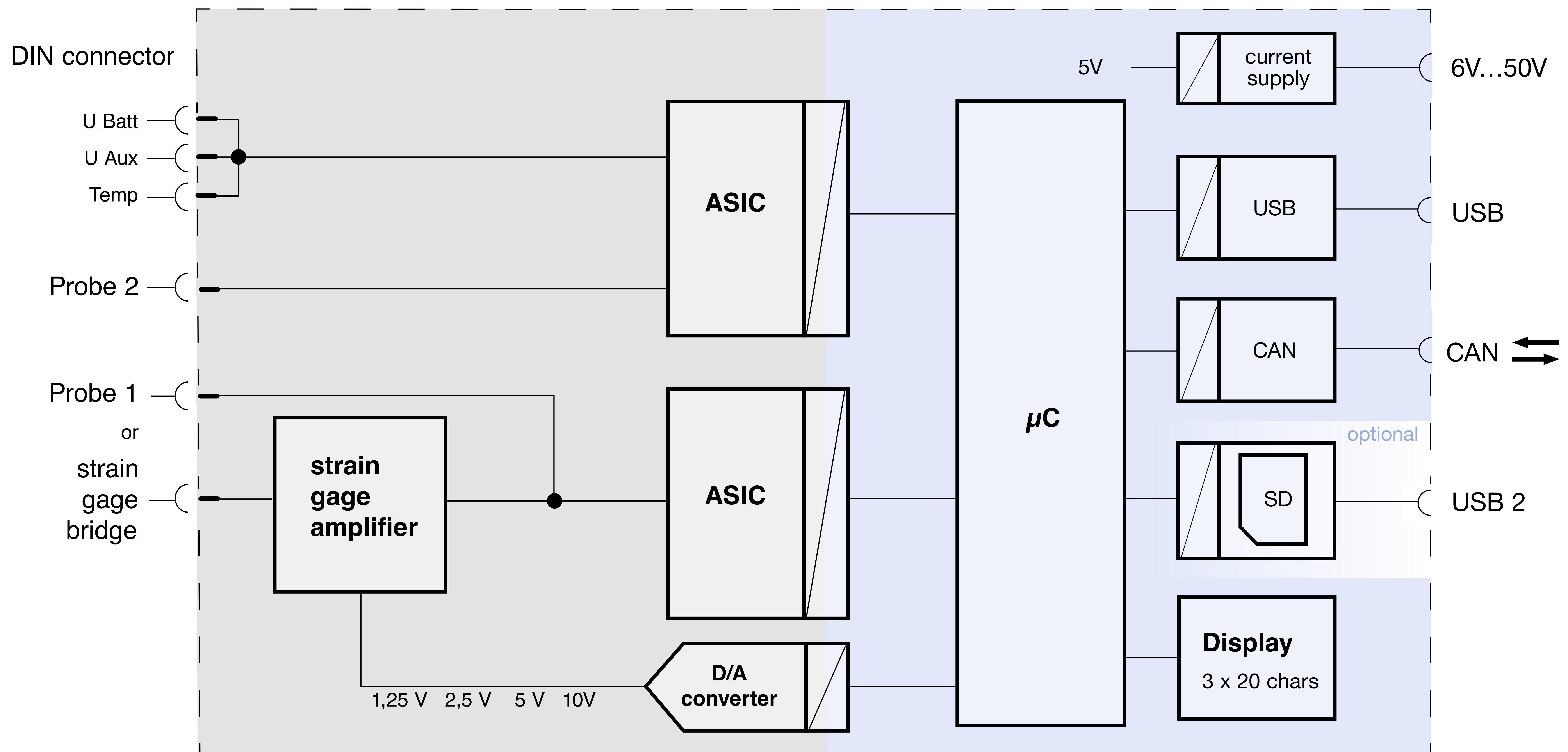


# KLARI-DISPLAY and STRAIN GAGE

- Connection of strain gage bridges and Klaric probes
- Measurement of U Bat, U Aux and temperature (PT1000 sensor)
- Data output via CAN or integrated display
- Visualization of external CAN messages of Klaric devices



KLARI-DISPLAY

